

DECLARATION OF PERFORMANCE (DoP) Lattix® 4430 Passive Safety Mast

0402-CPR-SC0444-12 EN12899-1:2007 Lattix® 4430

Performance under vehicle impact (passive safety):
According to EN12767:2019 100-NE-C-S-SE-MD-0

Product name

Lattix® 4430

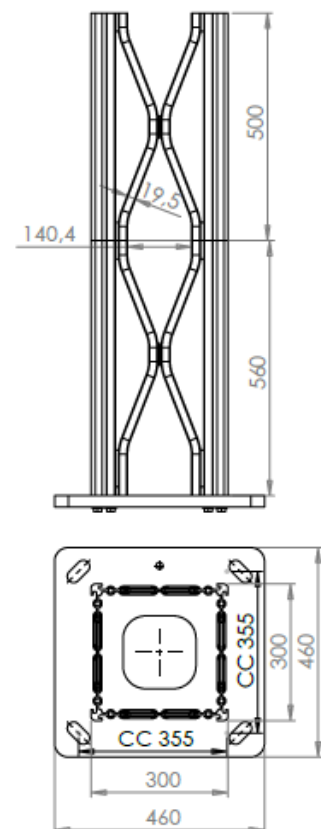
Product specifications

The Lattix® 4430 mast system can be used as mast for sign support, other information and surveillance equipment or other applications. The mast is delivered as a complete assembly including mast, base plate and top plate.

The mast is tested and approved according to:

- EN 12899-1:2007, Fixed, vertical road traffic signs
- EN 12767:2019, Passive Safety of support of structures for road equipment

Lattix® 4430	
Standard length [mm]	Art. Nr.
3120	JU203779
3620	JU203780
4120	JU203740
4620	JU203781
5120	JU203741
5620	JU203782
6120	JU203742
6620	JU203783
7120	JU203743
7620	JU203784
8120	JU203744
8620	JU203785
Maximum length is 8620 mm. Length tolerances according to EN 755-9	



Full-scale impact crash tests and simulations have been performed according to EN 12767 at a speed of 35 km/h and 100 km/h at least 1,5 m from the ground to bottom of sign.

Referring to EN 12767:2019 the untested reduced minimum height of the lower edge of the sign should not be lower than 2,0 m due to the risk of the penetration of the windscreen of an impacting car, but lower installations may be used when evaluated.

The Lattix® 4430 mast system is approved both as single and multi-legged support. For multi-legged supports the distance between the inside of each of the legs must not be less than 1,6 m. All performance presumes sufficient foundation.

Material / Surface treatment

Mast: EN-AW 6063 T66

Resistance to corrosion: Aluminum, class SP 2

Bolts: A4-100

Base plate: S355J2+N, Hot dip galvanized steel according to EN ISO 1461, 460mm x 460mm x 25mm.

The Lattix® 4430 mast system can be powder-coated, anodized and chromed. All classes of corrosion resistance can be provided by various surface treatment.

Data / Weight

	Mast side width [mm]	Section shape [mm], (square-cut)	Mast weight [kg/m]	Base plate weight [kg]	Bolt pattern, foundation [mm]	Foundation thread/nuts
Lattix 4430	300	300 x 300	14,2	Ca. 35,4	355 x 355	M24

Capacity

Maximum bending moment, M_u [kNm] *)	Stiffness for bending, EI [kNm ²]	Shear capacity, F_U [kN]	Maximum torsion moment, T_u [kNm] *)	Stiffness for torsion, GI_t [kNm ²]	Stiffness for torsion, GI_t [kNm/(deg/m)]
93,7	3120	34	9,7	339	5,91

*) The moments and shear capacity do not take into account the partial material factor γ_m . EN 12899-1 gives a γ_m for aluminum of 1,15.

Assembly and accessories

The Lattix® 4430 mast is delivered fully-assembled with top plate and accordant base plate if not specified differently.

The Lattix® element masts can be delivered with accessories kits:

- top plates,
- base plates,
- foundations,
- sign clamps,
- cable covers,
- brackets for tunnel,
- connector plates
- etc.

For assembly information, please ask for the assembly guide.

Maintenance

No maintenance required.

CE marking and system of assessment

- CE marked according to EN 12899-1:2007 in compliance with Regulation 305/2011/EU.
- Performance under vehicle impact (passive safety) according to EN12767:2019, 100-NE-C-S-SE-MD-0
- Notified body no. 0402.



The CE label gives all important information on data and capacity. Within the production process the masts are marked for traceability.

Referrals

- Data sheet
- Installation guide
- EC Certificate of conformity No. 0402-CPR-SC0444-12

Approval by the manufacturer

A handwritten signature in blue ink, appearing to read 'Gunnar Bendigtsen', written over a horizontal line.

Gunnar Bendigtsen
Managing Director

A handwritten signature in blue ink, appearing to read 'Tore Tøndevold', written over a horizontal line.

Tore Tøndevold
Technical Director

Långed, Sweden, November, 2022