



Lattix® - Strong, light and safe

Declaration of Performance

Lattix® 4430

Passive safety mast
No. 0402 – CPR – SC0444-12



Lattix Production AB

Production
Dingelvik, Karls Gärde 2
666 94 Dals Långed
Sweden

Sales Office
Baker Østbys vei 5
1351 Rud
Norway

www.lattix.net
lattix@lattix.net



Declaration of Performance

Lattix® 4430

No. 0402 – CPR – SC0444-12



Product name

Lattix® 4430

Product specifications

The Lattix® 4430 mast system can be used as mast for sign support, other information and surveillance equipment or other applications. The mast is delivered as a complete assembly including mast, base plate and top plate.

The mast is tested and approved according to:

- EN 12899-1, Fixed, vertical road traffic signs
- EN 12767, Passive Safety of support of structures for road equipment

Full-scale impact crash tests and simulations have been performed according to EN 12767 at a speed of 35 km/h and 100 km/h with 6,3 m mast length within the Lattix product family. Simulations show that the mast will have equal performance up to 8,620 m length. Consequently, the mast is approved for 8,620 m maximum height and at least 1,5 m from the ground to bottom of sign.

Referring to EN 12767 the untested reduced minimum height of the lower edge of the sign should not be lower than 2,0 m due to the risk of the penetration of the windscreen of an impacting car, but lower installations may be used when evaluated.

The Lattix® 4430 mast system is approved both as single and multi-legged support. For multi-legged supports the distance between the inside of each of the legs must not be less than 1,6 m.

All performance presumes sufficient foundation.

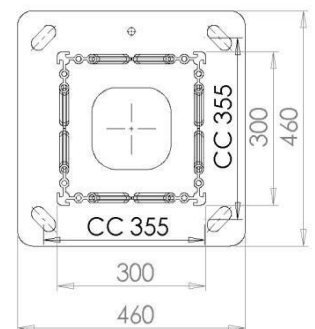
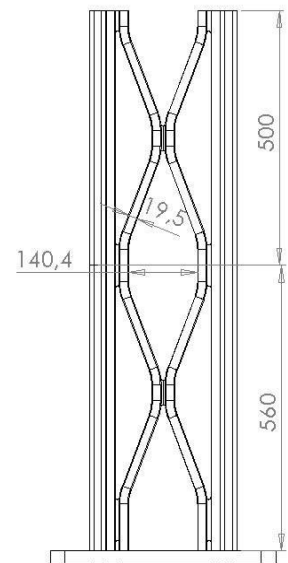
Performance under vehicle impact (passive safety) according to EN 12767:2000	Value
Performed speed class tests and simulations	35 km/h and 100 km/h
Approved speed class	100
Approved function class	NE (non energy absorbing)
Approved safety class	2

Durability	Value
Resistance to corrosion	Aluminium, class SP 2

The Lattix® 4430 mast system is produced in many standard lengths, but can also be produced in customized length if desired.

Lattix® 4430	
Standard length [mm]	Art. Nr.
3120	JU203779
3620	JU203780
4120	JU203740
4620	JU203781
5120	JU203741
5620	JU203782
6120	JU203742
6620	JU203783
7120	JU203743
7620	JU203784
8120	JU203744
8620	JU203785

Maximum length is 8620 mm. Length tolerances according to EN 755-9



Lattix Production AB

Production
Dingelvik, Karls Gärde 2
666 94 Dals Långed
Sweden

Sales Office
Baker Østbys vei 5
1351 Rud
Norway

www.lattix.net
lattix@lattix.net

Declaration of Performance

Lattix® 4430

No. 0402 – CPR – SC0444-12



Material / Surface treatment

Mast: EN-AW 6063 T66
Base plate: S355J2+N, Hot dip galvanized steel according to EN ISO 1461
Bolts: BUMAX 109

The Lattix® 4430 mast system can be powder-coated, anodized and chromed.
All classes of corrosion resistance can be provided by various surface treatment.

Data / Weight

Product	Mast side length [mm]	Section shape [mm], (square-cut)	Mast weight [kg/m]	Base plate weight [kg]	Bolt pattern, foundation [mm]	Foundation thread/nuts
Lattix® Mast 4430	300	300 x 300	14,2	Ca. 35,4	355 x 355	M24

Capacity

Product	Maximum bending moment, M_u [kNm] *)	Stiffness for bending, EI [kNm ²]	Maximum torsion moment, T_u [kNm] *)	Stiffness for torsion, Gk [kNm ²]	Stiffness for torsion, Gk [kNm/(deg/m)]
Lattix® Mast 4430	92	3600	9,5	331	64

*) The moments do not take into account the partial material factor γ_m . EN 12899-1 gives a γ_m for aluminium of 1,15.

Assembly and accessories

The Lattix® 4430 mast is delivered fully-assembled with top plate and accordant base plate if not specified differently.

Lattix® Element Masts can be delivered with accessories kits:

- top plates,
- base plates,
- foundations,
- sign clamps,
- cable covers,
- brackets for tunnel,
- connector plates
- etc.

For assembly information, please ask for the assembly guide.

Maintenance

No maintenance required.

Lattix Production AB

Production
Dingelvik, Karls Gärde 2
666 94 Dals Långed
Sweden

Sales Office
Baker Østbys vei 5
1351 Rud
Norway

www.lattix.net
lattix@lattix.net

Declaration of Performance

Lattix® 4430

No. 0402 – CPR – SC0444-12

Lattix®

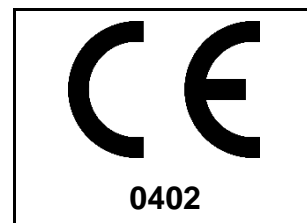
CE marking and system of assessment and verification of constancy of performance

CE marked according to EN 12899-1:2007 in compliance with
Regulation 305/2011/EU.

Notified body no. 0402.

See attached certificate.

The CE label gives all important information on data and capacity. Within the
production process the masts are marked for traceability.



Referrals

- Data sheet
- Installation guide
- EC Certificate of conformity No. 0402 – CPR – SC0444-12

Approval by the manufacturer

Gunnar Bendigtsen
Managing Director

Tore Tøndevold
Technical Manager

19.11.2018



Lattix Production AB
Dingelvik, Karls Gärde 2
666 94 Dals Långed
Sweden

Lattix Production AB

Production
Dingelvik, Karls Gärde 2
666 94 Dals Långed
Sweden

Sales Office
Baker Østbys vei 5
1351 Rud
Norway

www.lattix.net
lattix@lattix.net